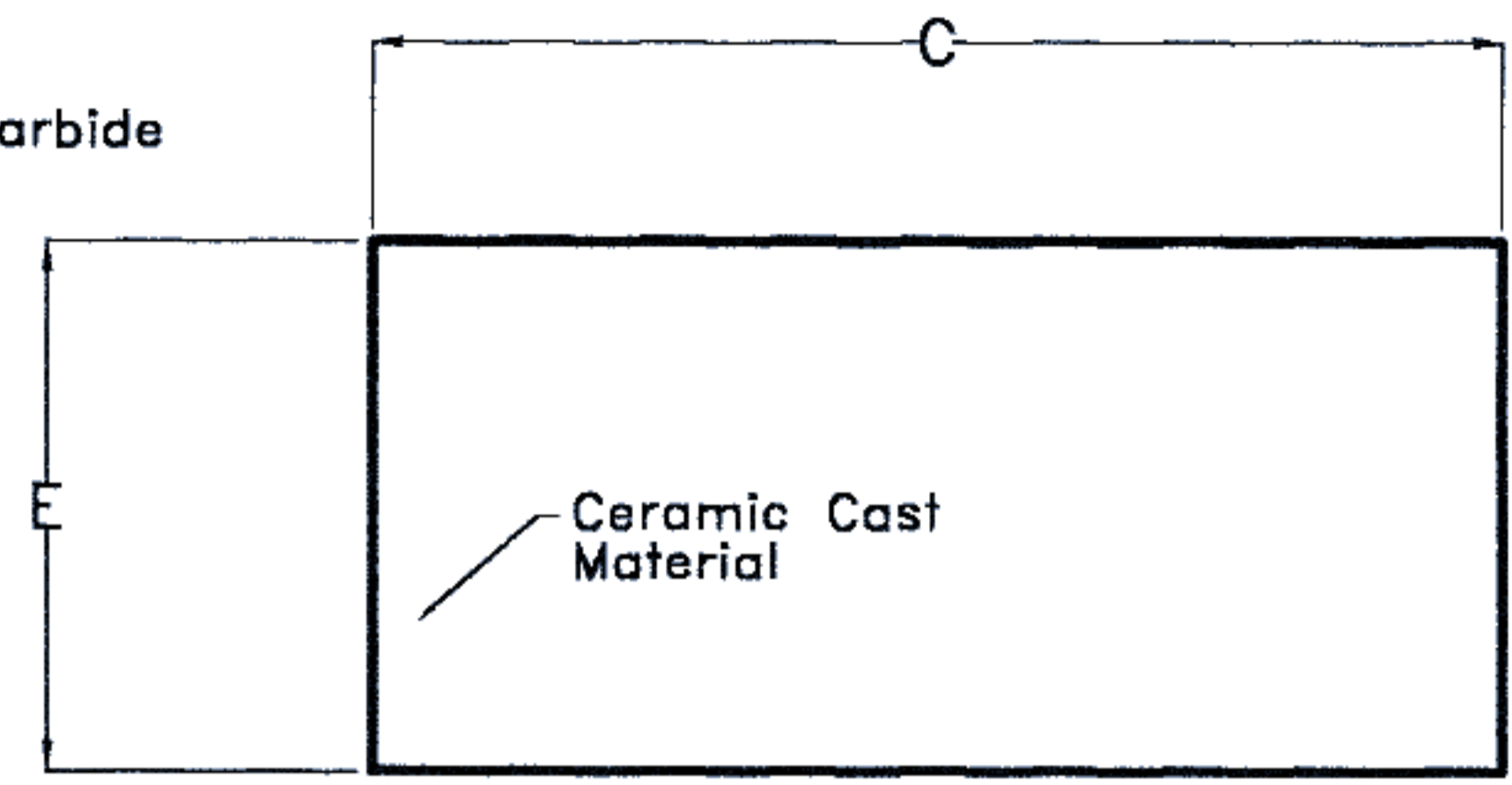


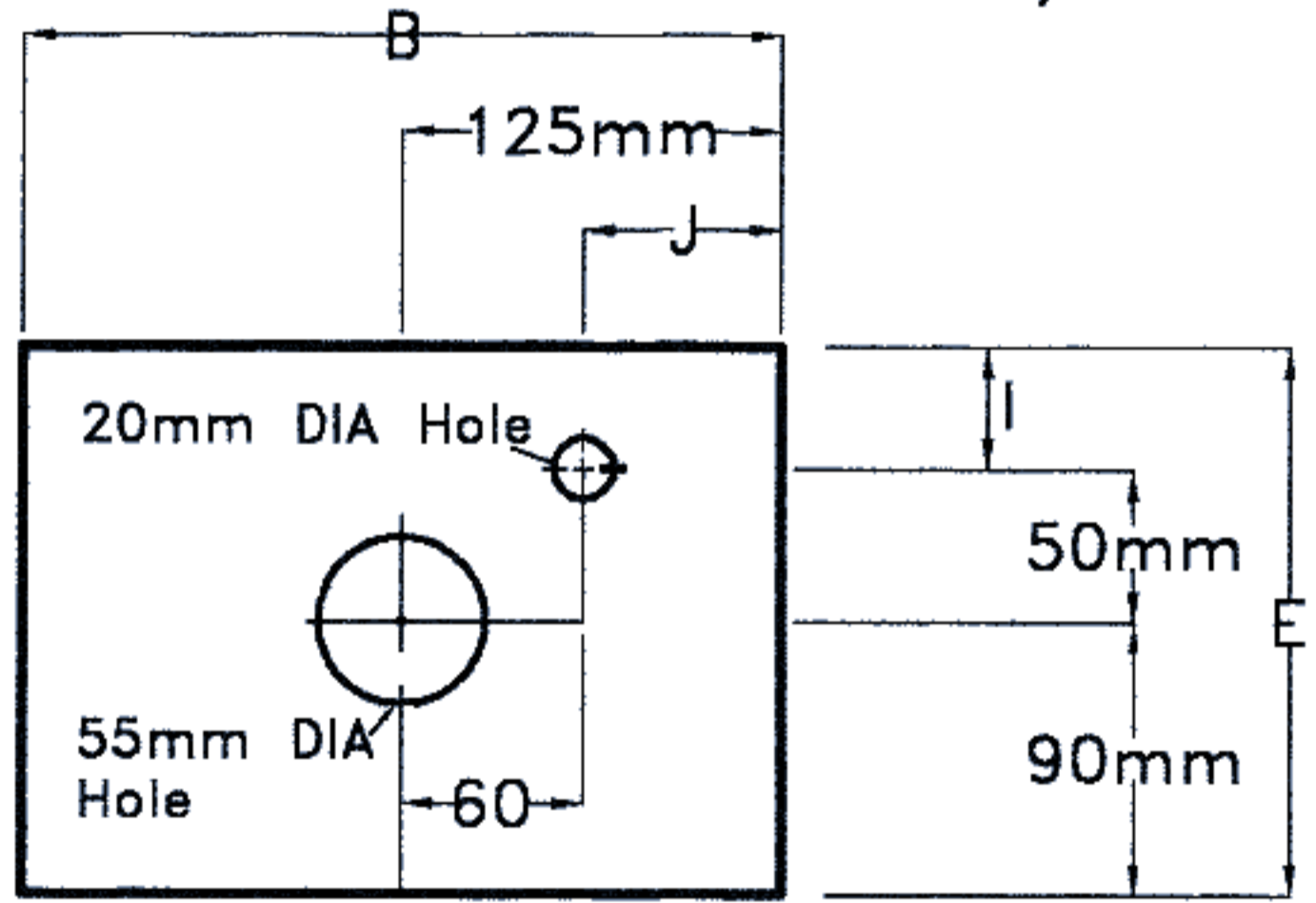
FRONT ELEVATION

Part No. MUFFL W1
 Category VIB
 Material 65% Silicon Carbide

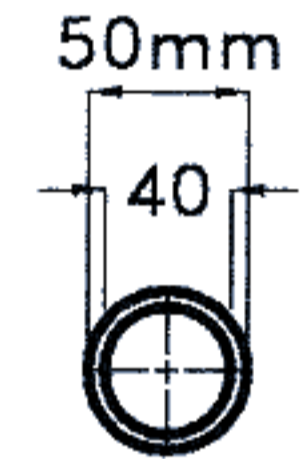


SIDE ELEVATION

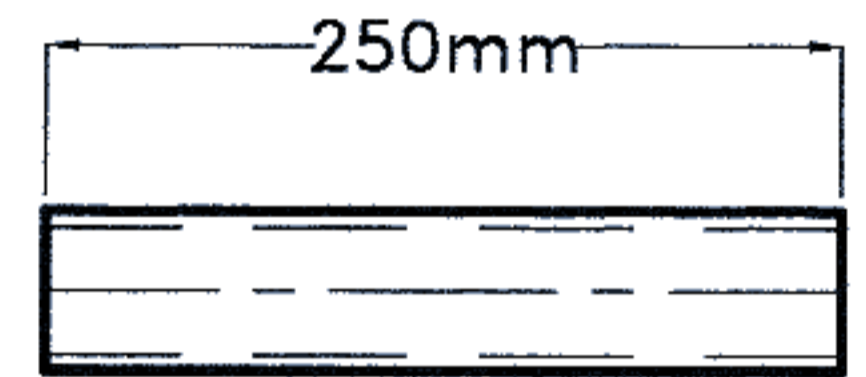
NOTE: All Dimensions have a Tolerance of +/- 1% of the total sizes shown



BACK ELEVATION



FRONT ELEVATION



SIDE ELEVATION

ALL DIMENSIONS ARE IN MILLIMETERS

| | A | B | C | D | E | F | G | H | I | J |
|----------|----|-----|-----|---|-----|---|---|---|----|----|
| MUFFLE 1 | 15 | 250 | 390 | | 180 | | | | 40 | 65 |

Muffle No. 1

Part No. C-110-B

| Item No. | Quantity | Title/Name, description, material, dimension etc | | | Article No./Reference | | |
|--|-----------------|--|--------------------|--|-------------------------------|-------------------|------------|
| Designed by M.R | Drawn by J.M | Checked by | Approved by - date | | Filename MUFFLW1 | Date: 29-10-96 | Scale |
| Dwg DFC CERAMICS 17 MONTGOMERY WAY MALAGA WA 6062 | | | | | Title: MUFFLE No.1 C-110-B | | |
| | | | | | Drawing number: VIB No. 1 | | Sheet 1 |