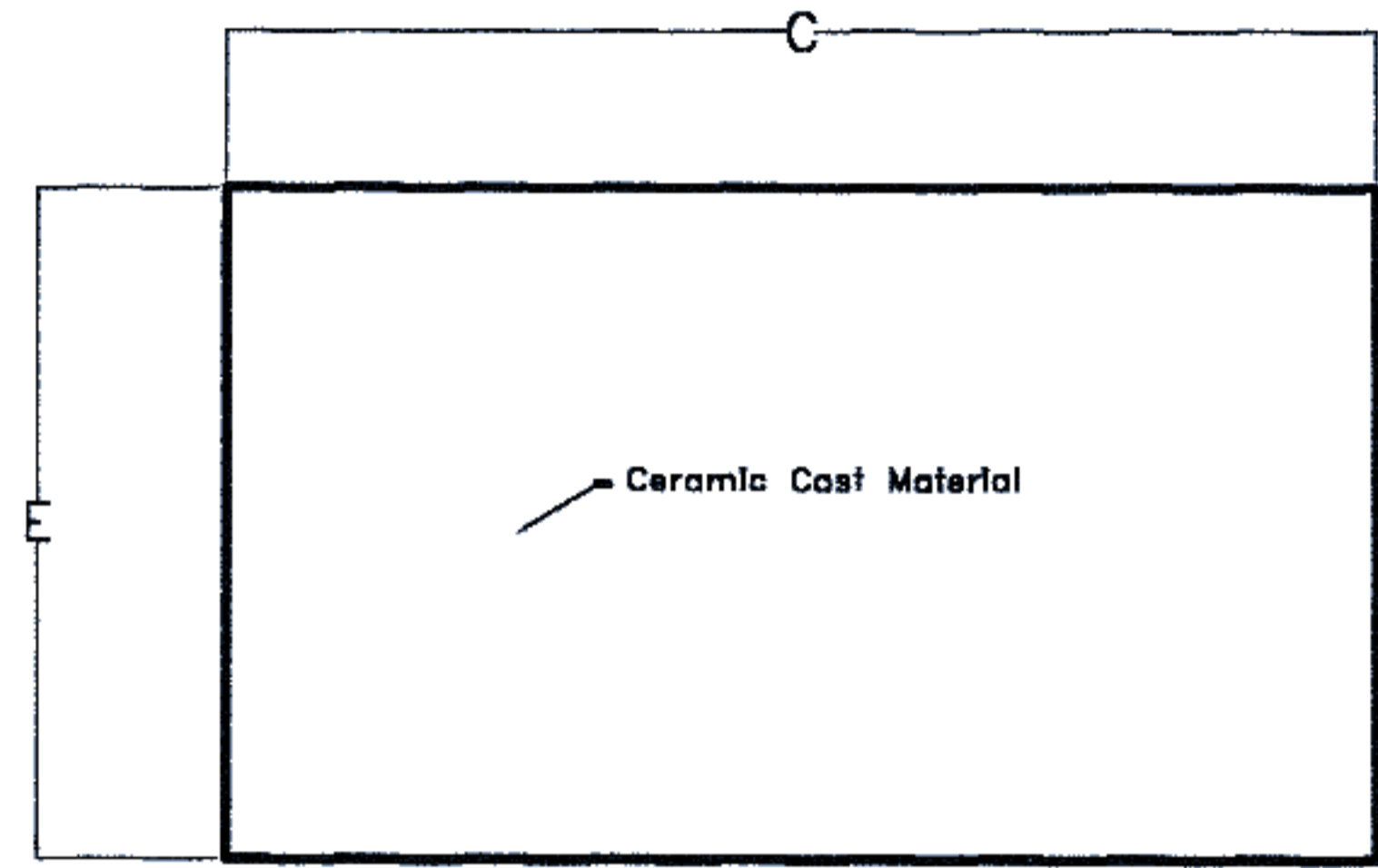


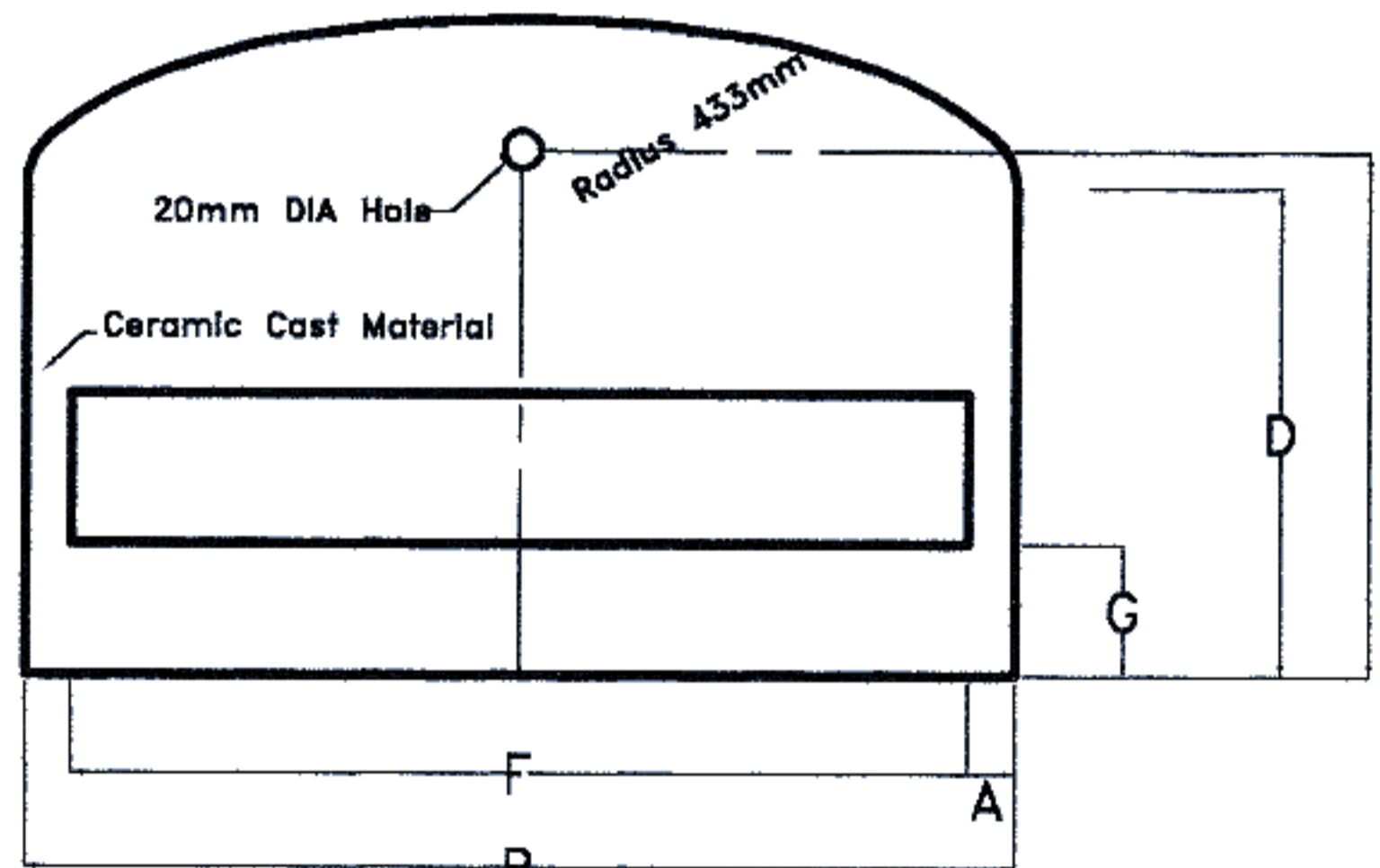
FRONT ELEVATION



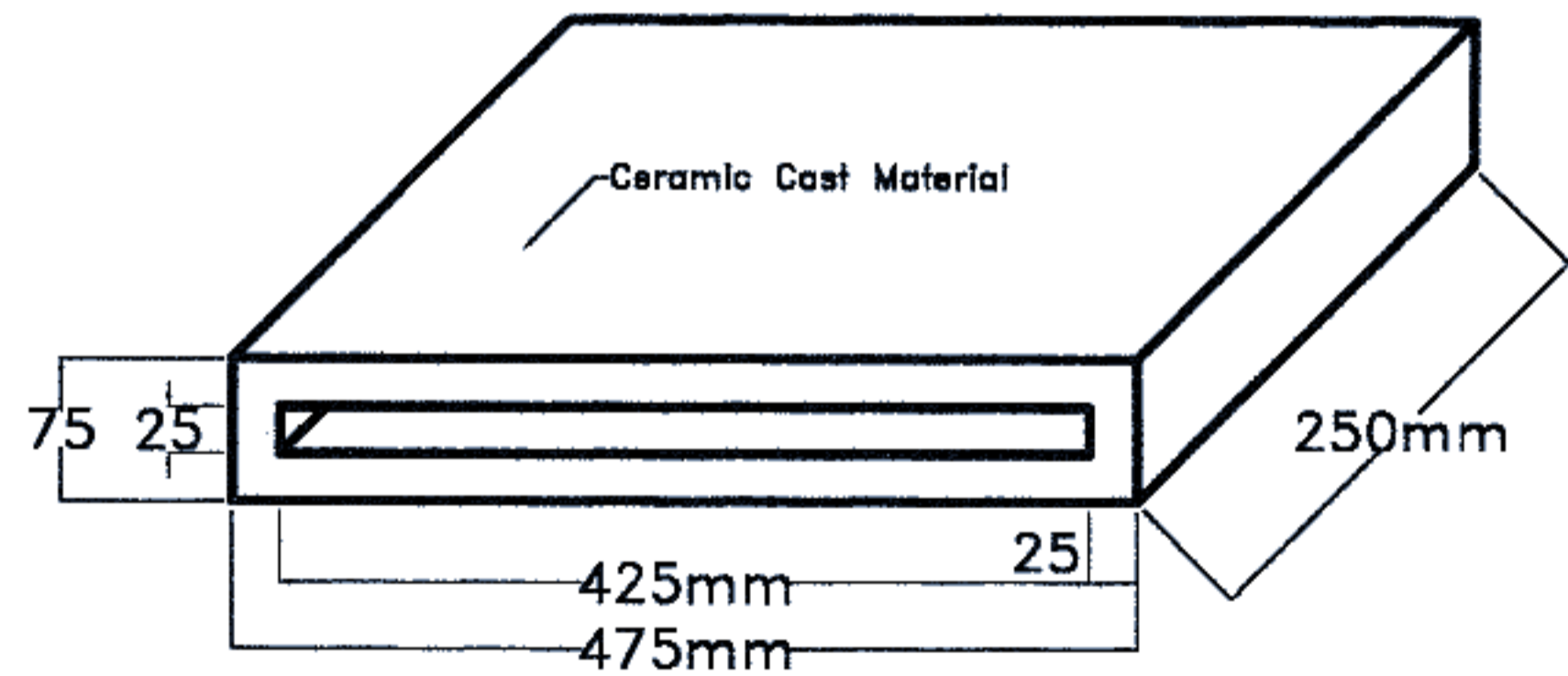
SIDE ELEVATION

Part No. MUFLW5  
 Category VIB  
 Material 65% Silicon Carbide  
 Note: This is a No. 5  
 Slotted Vent Type

NOTE: All Dimensions have a Tolerance  
 of +/- 1% of the total sizes shown



BACK ELEVATION



VENT TUBE DETAIL

ALL DIMENSIONS ARE  
 IN MILLIMETERS

	A	B	C	D	E	F	G	H	I	J
MUFFLE 5	25	530	610	260	350	480	70	50	280	265

# Muffle No. 5

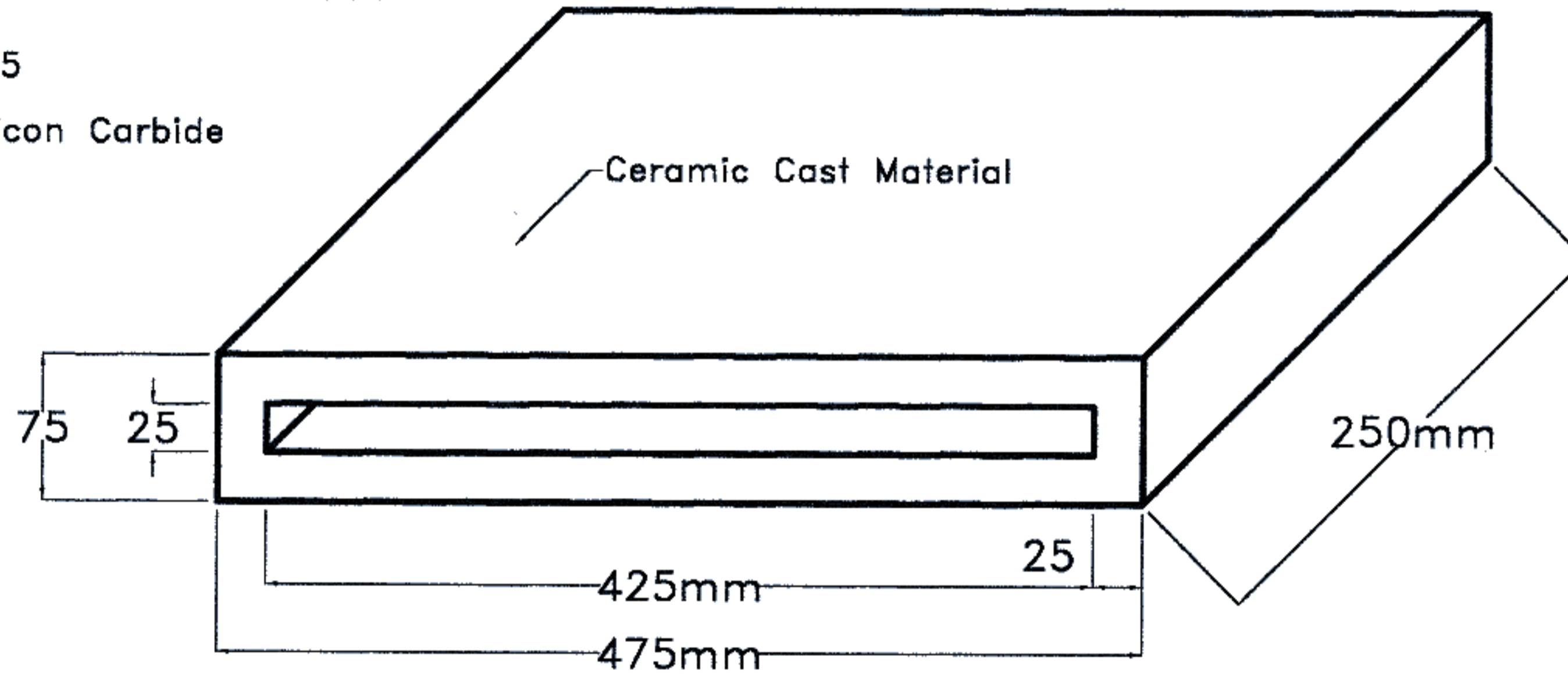
Part No. C-110-D

Item	Quantity	Title/Name, designation, material, dimension etc	Article No./Reference
Designed by	Drawn by	Checked by	Approved by - date
M.R.J.M			MUFLW5 29-10-96
Date:		Title/Name	
		MUFFLE No.5 C-110-D	
Drawing number		Diffn	Sheet
VIB No. 5			1

DFC CERAMICS  
 17 MONGOMERY WAY  
 MALAGA WA 6062

NOTE: All Dimensions have a Tolerance of +/- 1% of the total sizes shown

Part No. TUBES05  
 Category VIB  
 Material 65% Silicon Carbide



VENT TUBE DETAIL

ALL DIMENSIONS ARE IN MILLIMETERS

# Vent Tube No. 5

Part No. C-124

Serial	Quantity	Title/Name, description, material, dimension etc			Article No./Reference		
Designed by	Drawn by	Checked by	Approved by - date	Part No.	Date	Scale	
M.R J.M				TUBES05	29-10-96		
Name				Title/Name			
DFC CERAMICS				VENT TUBE No.5			
17 MONTGOMERY WAY				Drawing number		Sheet	
MALAGA WA 6062				VIB No. 9		1	